

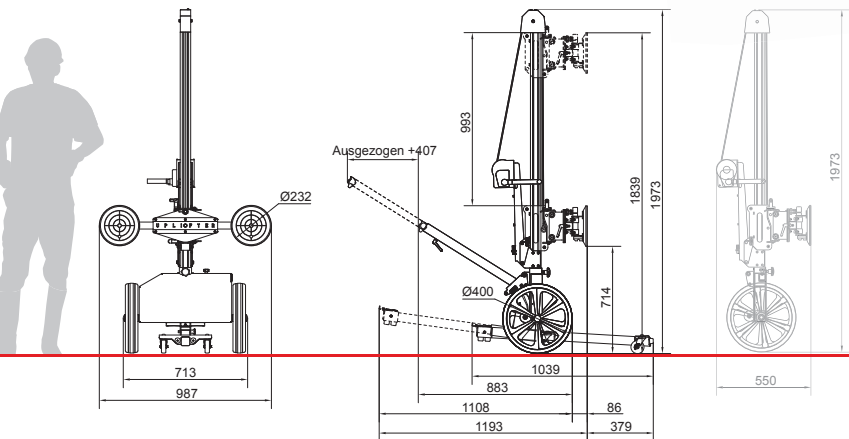
UPT150

Transport | Uplifter

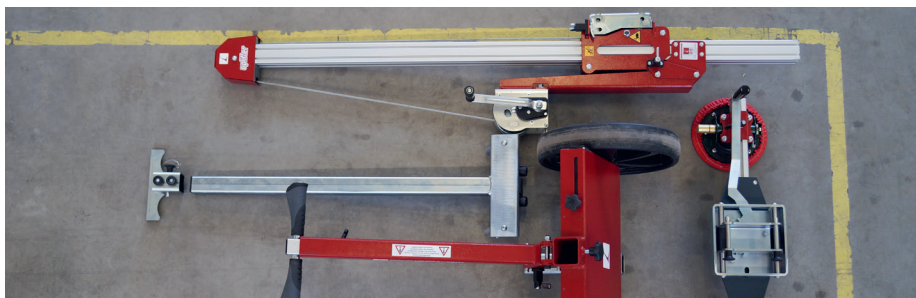


Load capacity	150 kg
Working height max.	ca. 1,7 m Center vacuum cross
Indoor	
Outdoor suitable	
Dead weight*	69 kg
Length	1,193 m
Wide	0,713 m
Height	1,973 m
Accessories	side shift, downward extension, downward inclined extension, forward extension, holder incl. electric suction cups

*depending on equipment



TIP
 Optionally, the UPT 150 is also available with electric hand vacuums. This enables the suction of glass, metal, plastic, wood, tiles, concrete, sheetrock and other rough surfaces.

The extension diagonally downwards enables narrow discs to be accommodated



Extensions and side shift are available as accessories



You can find interesting videos with **application areas** on **YouTube**. Subscribe to our channel to learn more about the possibilities of our machines. From **instruction videos** to construction site applications, it's all here.