



GLASSWORKER (GLASS LIFTER MACHINE)

FOR RENT AND SALE IN VIETNAM



WHAT ARE YOUR PROBLEMS?

- Are you tired of using manual labor whenever lifting, dismantling, and installing glass panels?
- Are you worried about safety issues and afraid of accidents happening?
- Do you want to improve work speed and efficiency?



In 2021, Stake Glass - A big company specializing in supplying and installing Glass in New Zealand had to pay \$400,000 for a fatal accident when a worker used a crane to lift glass

Is the any solution?



GIỚI THIỆU CHUNG VỀ
GLASSWORKER

GLASSWORKER (From Uplifter) is a powerful machine equipped with batteries and a handy remote control that not only makes glazing assembly a breeze but also offers great versatility by a wide variety of applications.



A B O U T



UPLIFTER is a company headquartered in Germany, an international market leader in the field of lifting and vacuum technology with a comprehensive product range including glass lifters, mini cranes, material handling machines, and mobile cranes. , etc... After more than 20 years of development, Uplifter now has branches throughout Germany and other European and Asian countries..



GLASSWORKER

LINE UP



UPT150 (150KG)



UPT250(250KG)

GLASSWORKER

LINE UP



UPT350 PRO (350KG)



UPT400 (400KG)



GW425 (425KG)

GLASSWORKER

LINE UP



GW625 (625KG)



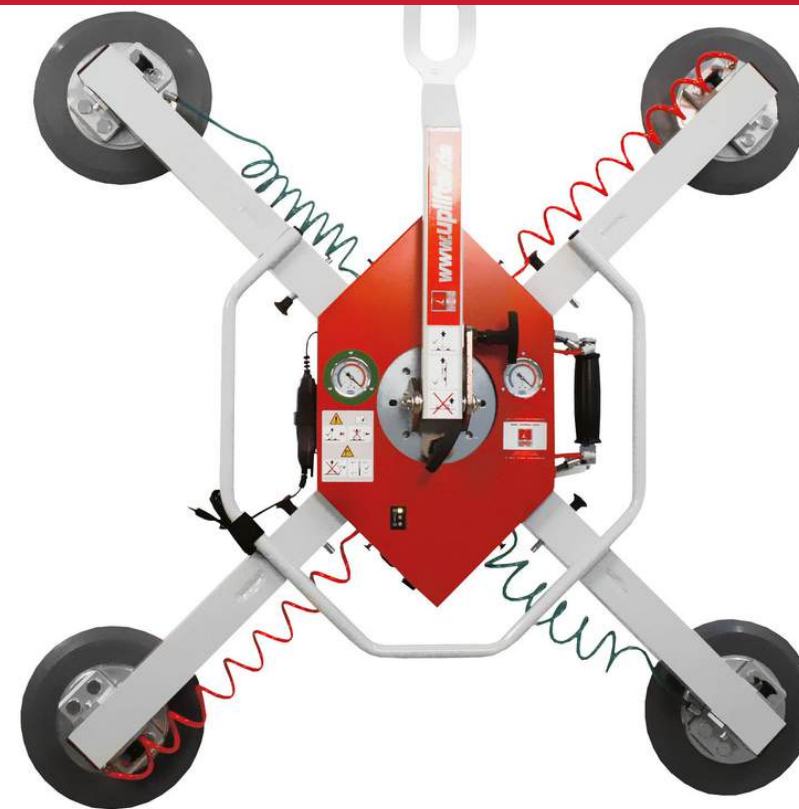
GW1125 (1125KG)

OTHER EQUIPMENT

THAT NISHIO PROVIDES IN VIETNAM



Transport Equipment



Vacuum Lifter

DETAILED INFORMATION OF

GLASSWORKER

Realizing the benefits of this equipment, we cooperate with UPLIFTER to bring GLASSWORKER to customers in the Vietnamese market.

LEARN MORE WITH US



ABOUT

APPLICATION OF GLASSWORKER

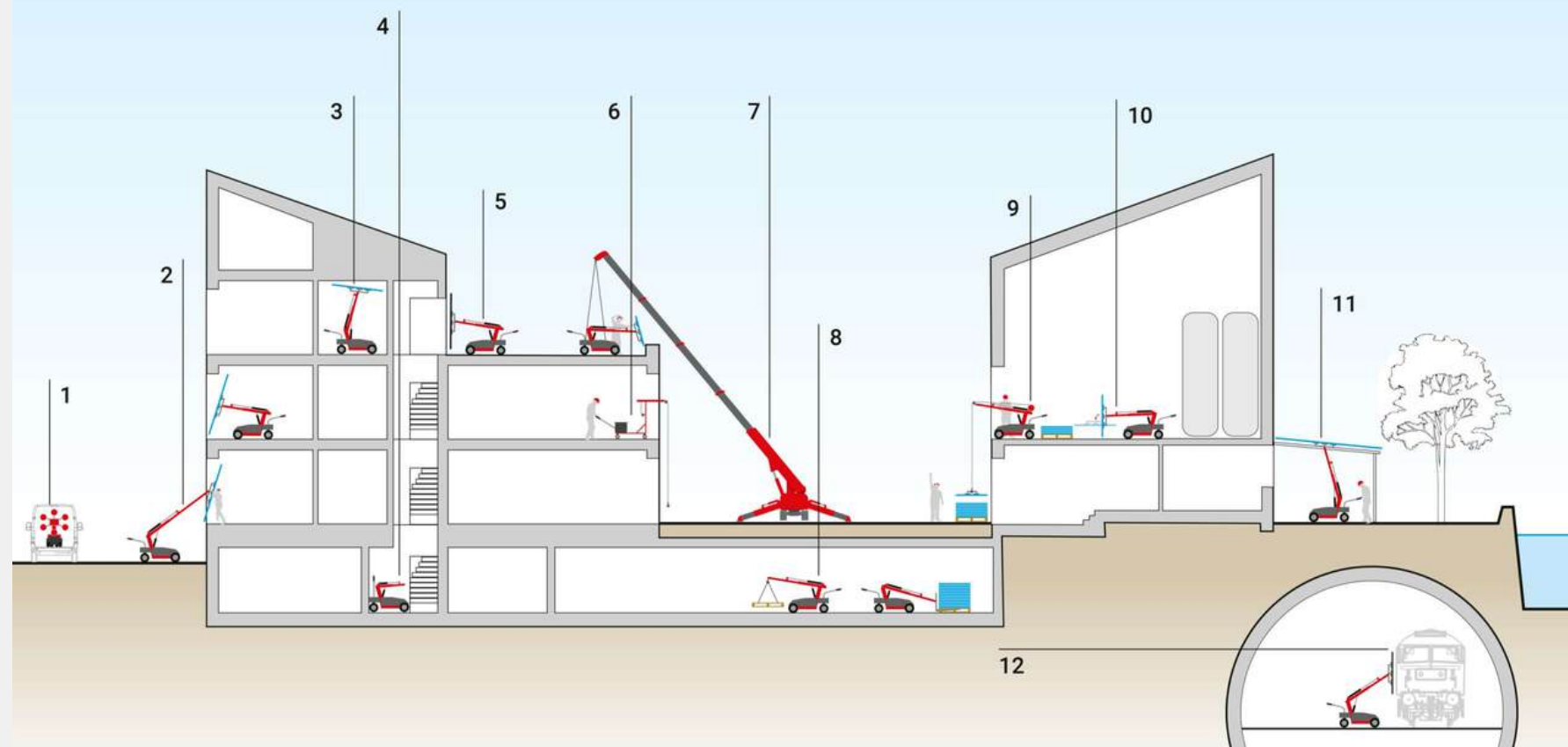
- **Glassworker** does not just stop at installing glass but also takes control of every situation.
- With the ability to smoothly lift, move and position glass panels, the machine also easily works with other materials such as *metal panels, floor tiles or wooden panels*.
- Therefore, **Glassworker** can be used in many different fields such as *factory construction, greenhouse construction, glass wall construction, shopping center construction, stores, bus and ship glass maintenance, electricity, etc...*



ABOUT

APPLICATION OF GLASSWORKER

This map below illustrates how the application of **Glassworkers**



- (1) fast and uncomplicated
- (2) glass and façade construction
- (3) ceiling mounting
- (4) compact design
- (5) fire doors
- (6) small cranes
- (7) easy to transport
- (8) pick & carry
- (9) cable winch
- (10) swiveling and tilting
- (11) winter gardens
- (12) bus and railway

Please click on the below images to watch video



WHY SHOULD YOU CHOOSE GLASSWORKER ?

FLEXIBLE CONTROL

User can easily move the machine with just their hands.

- **Glassworker** is equipped with a smart remote control, extremely simple and easy to grasp.



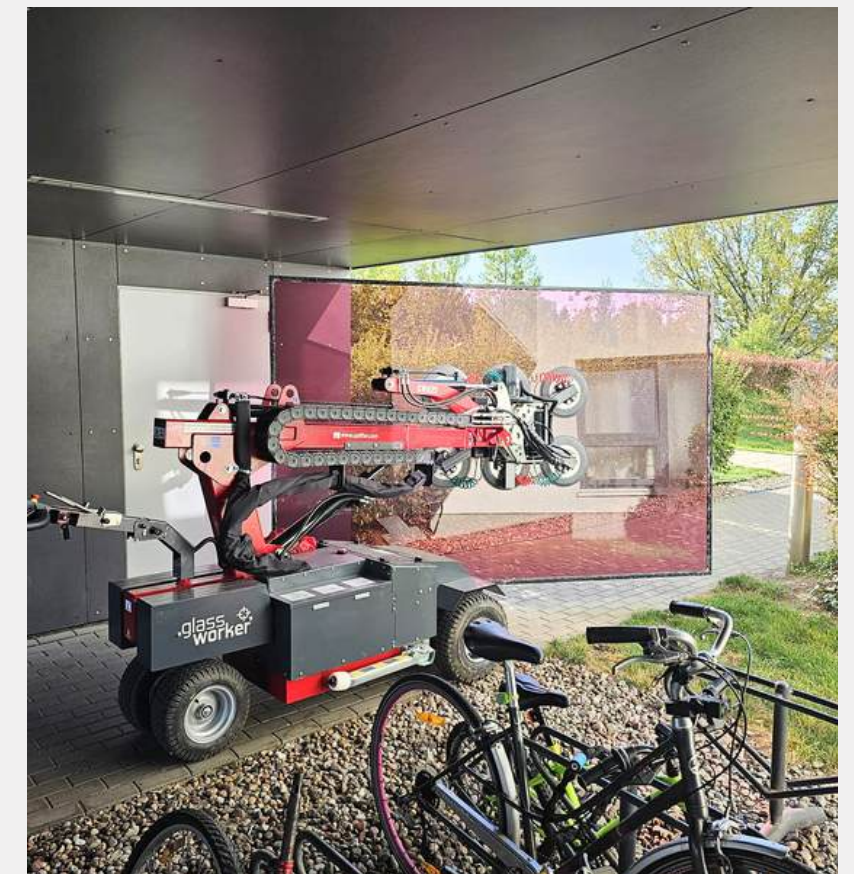
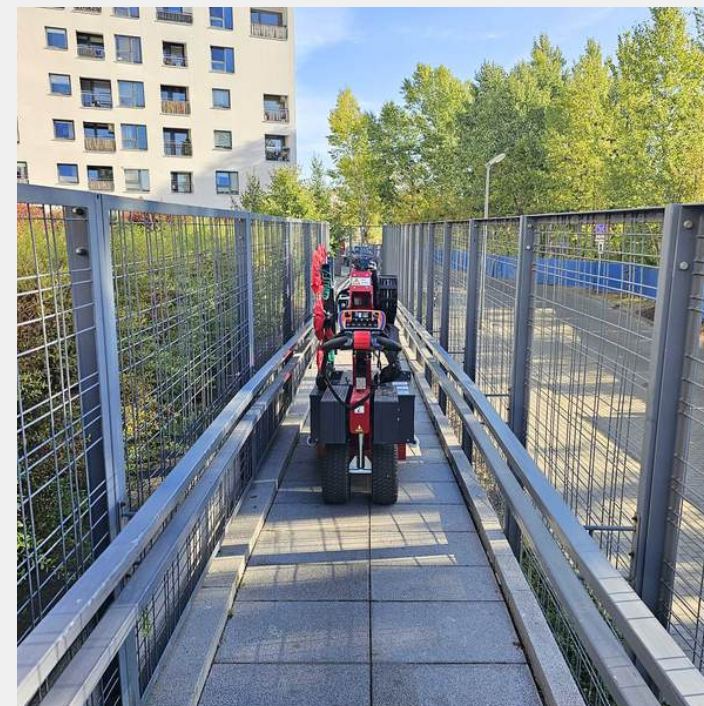
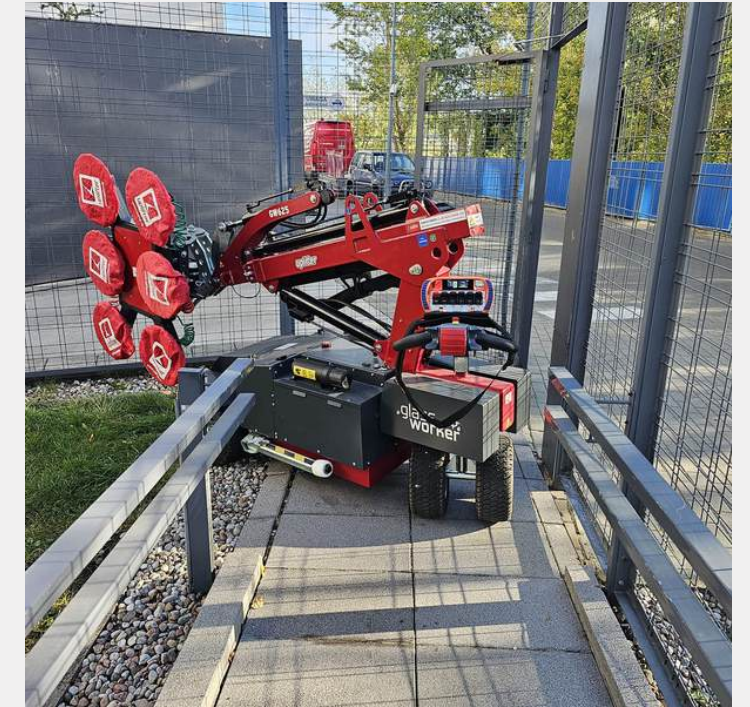
Please click on the above images to watch video

WHY SHOULD YOU CHOOSE GLASSWORKER ?

COMPACT SIZE

Easily and conveniently transported to anywhere, saving you time and effort.

- The machine is fully capable of moving to construction sites and working in relatively narrow spaces.



WHY SHOULD YOU CHOOSE GLASSWORKER ?

LIGHT-WEIGHT

Allowed to move on steep, uneven terrain.
Suitable for working on high-rise apartments, inside buildings, etc...

- Easily use a crane to lift **Glassworker** up high.



Please click this image to watch video

WHY SHOULD YOU CHOOSE GLASSWORKER ?

SAFE WITH SELF MONITORING SYSTEM

- Automatically stops the machine safely in case of overload
- Vacuum monitoring system
- It is not allowed to drive **Glassworker** when it is folded
- Calibrate automatic stop if the vehicle's working angle is exceeded
- Protects the drawbar from crushing
- Display error codes on the remote control handle
- Monitor battery voltage
- Monitor the temperature of components, electrical and hydraulic systems inside the machine



WHY SHOULD YOU CHOOSE GLASSWORKER ?

ROBUST

- The waterproof and dustproof housing helps protect **Glassworker** from the harshest working environments.

PRECISION

- **Glassworker** can install glass panels with high precision, helping to ensure the aesthetics and safety of the project.

COST SAVING

- Instead of having to spend a lot of money hiring many workers and supporting equipment for many days, now, just one person can complete the job easily!



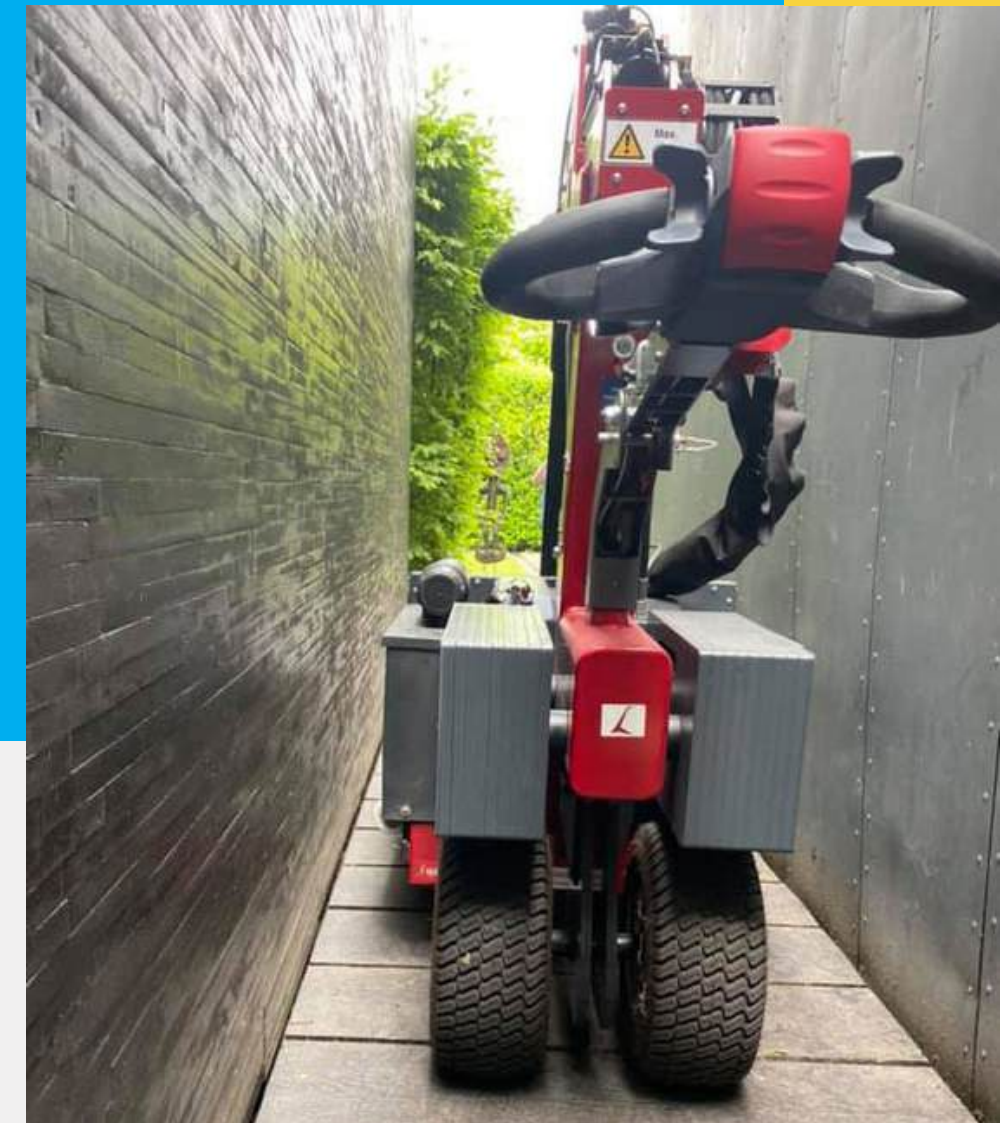


WE ARE DISTRIBUTING

GLASSWORKER GW625

In Vietnam, **NISHIO** directly imported **GLASSWORKER** model **GW625**.
Customers can experience and directly check the quality of the machine.

GW625 is a model with a suitable weight for common use in all situations such as apartments, stores, buildings, shophouses...

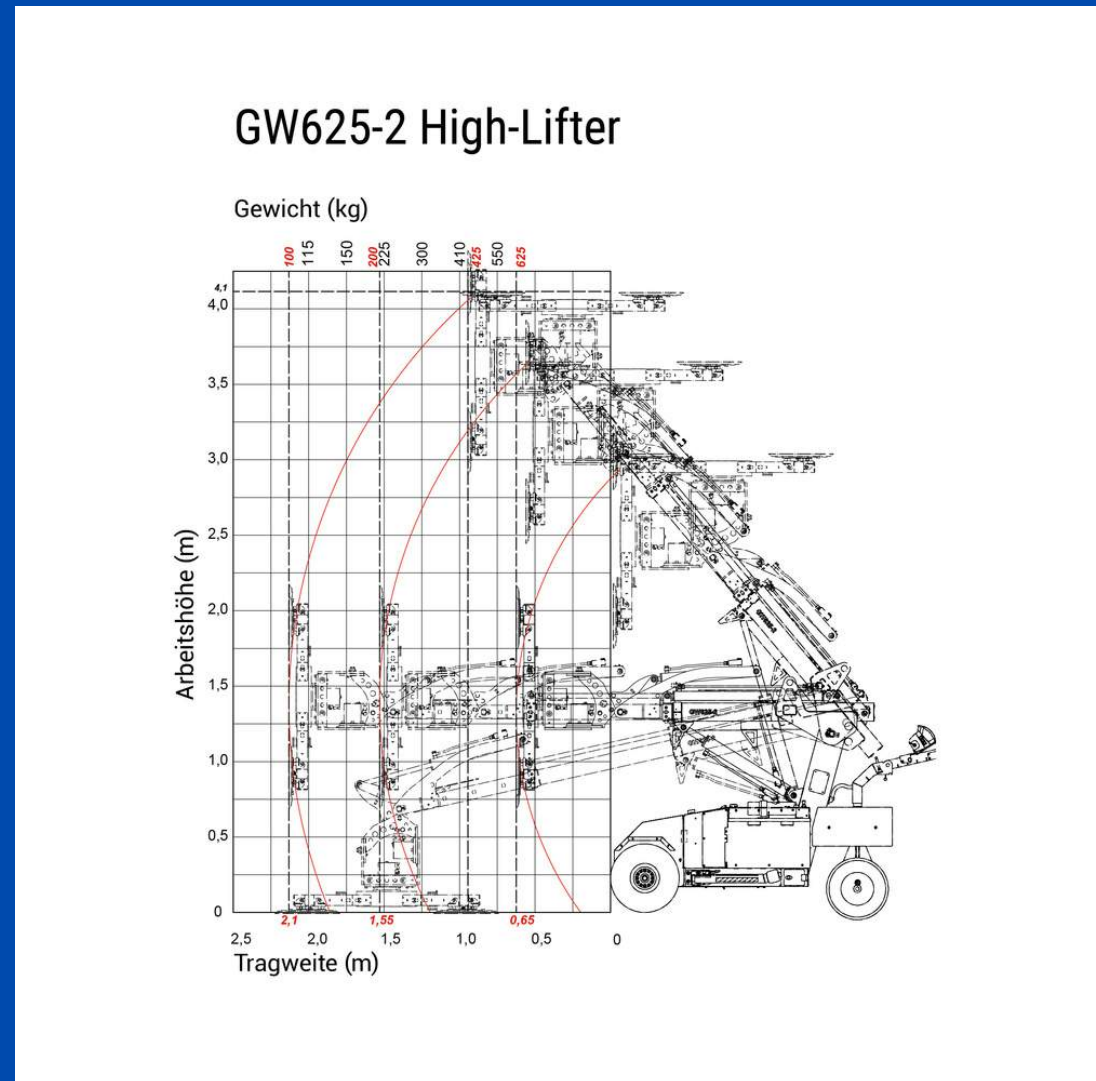
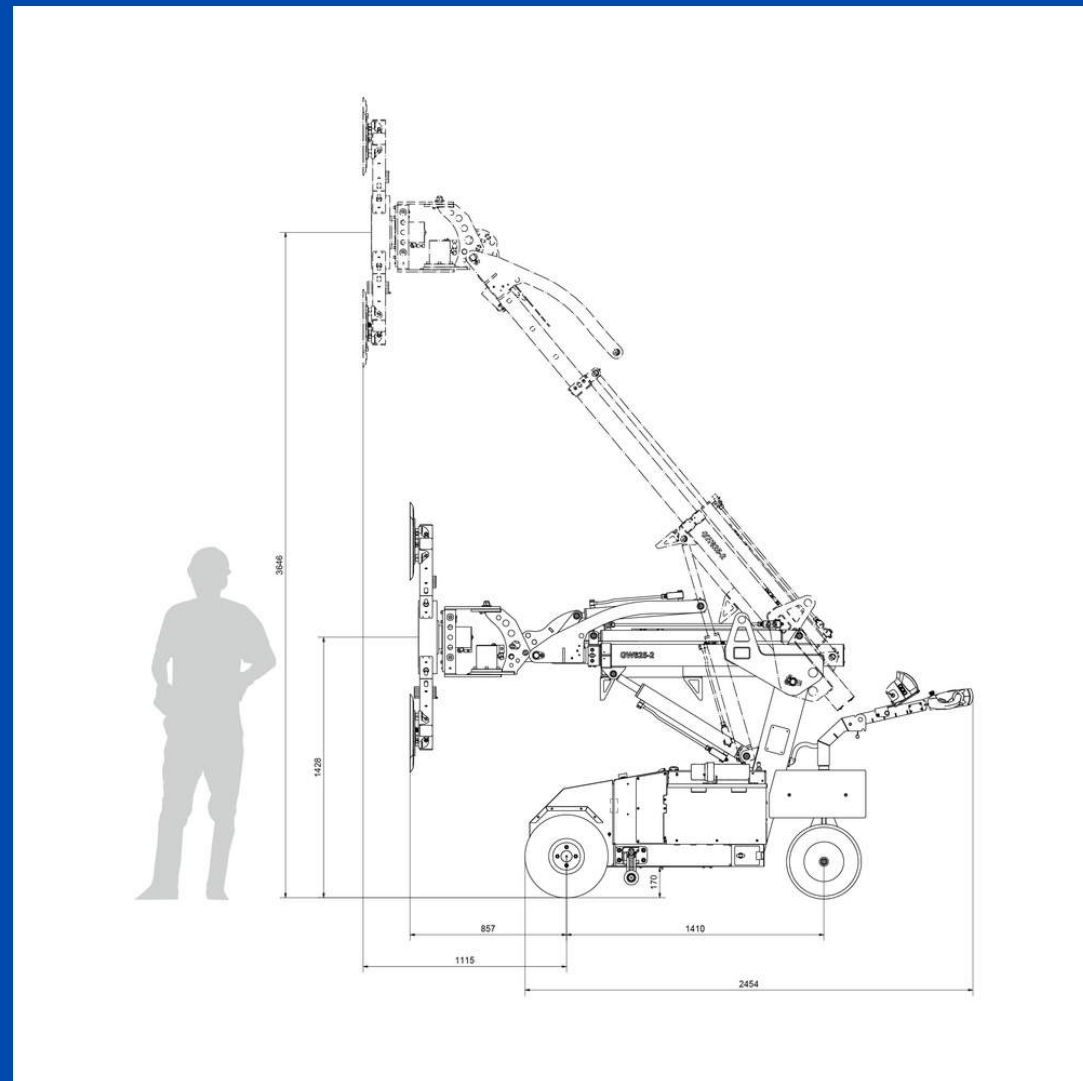
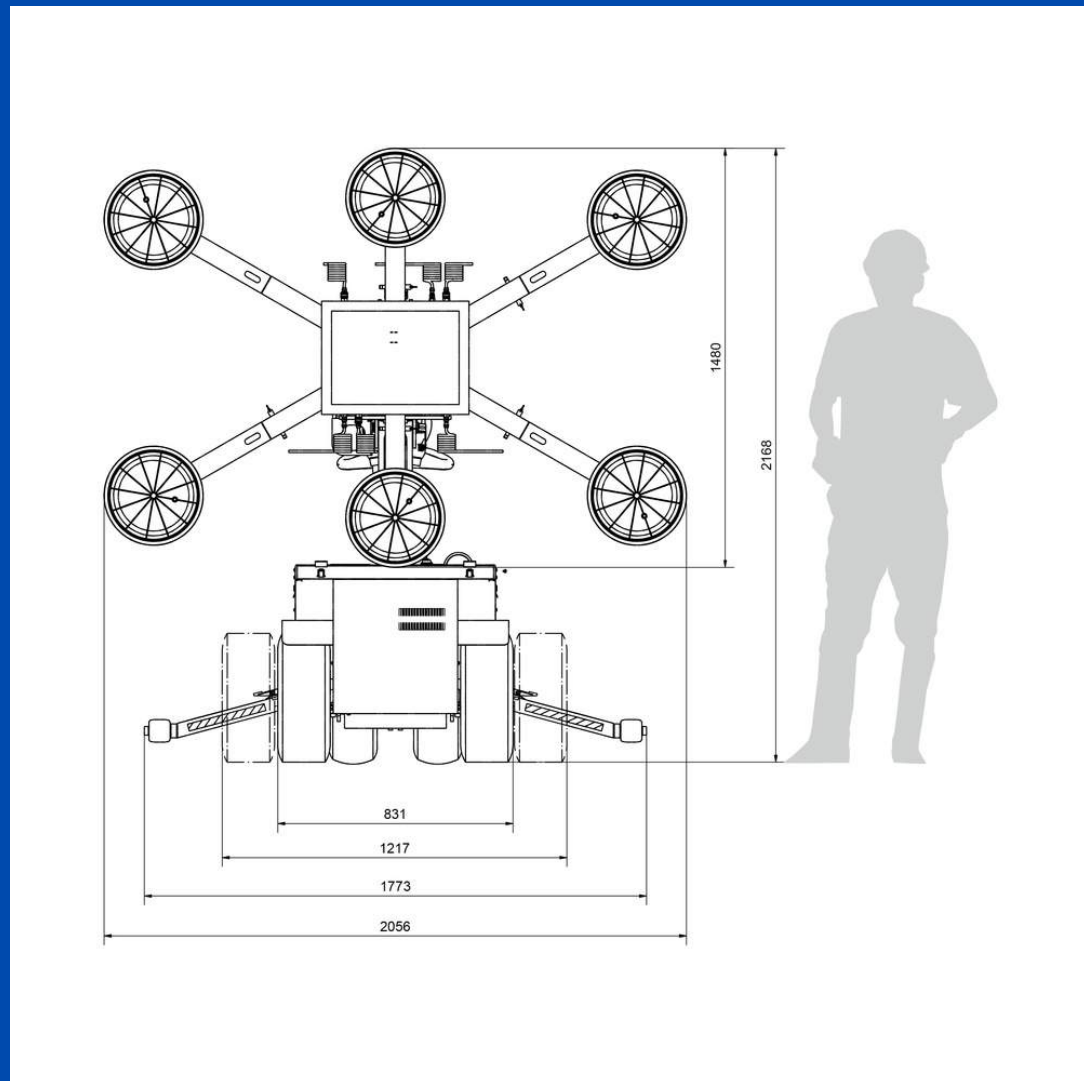


SPECIFICATIONS OF GLASSWORKER GW625

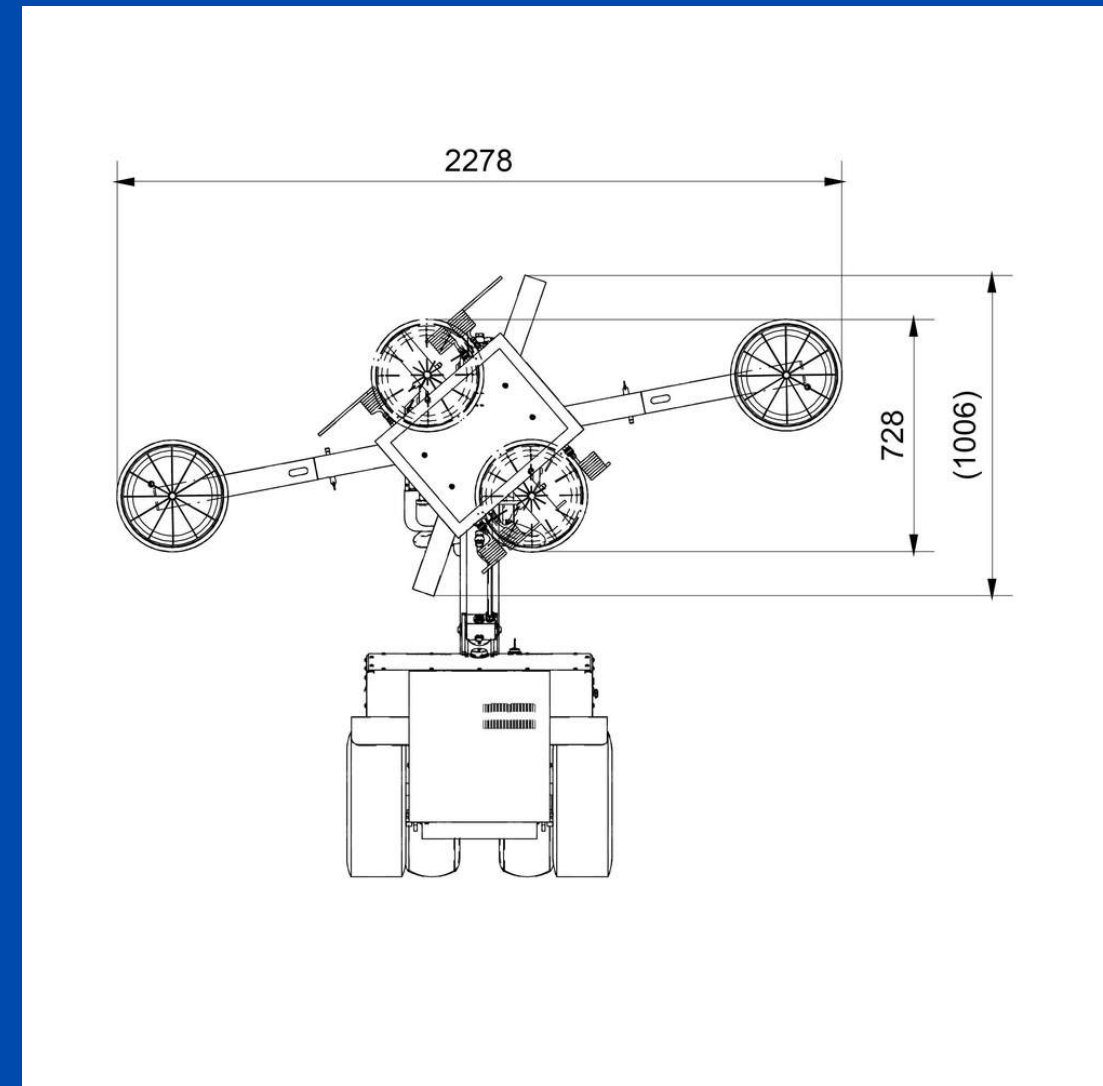
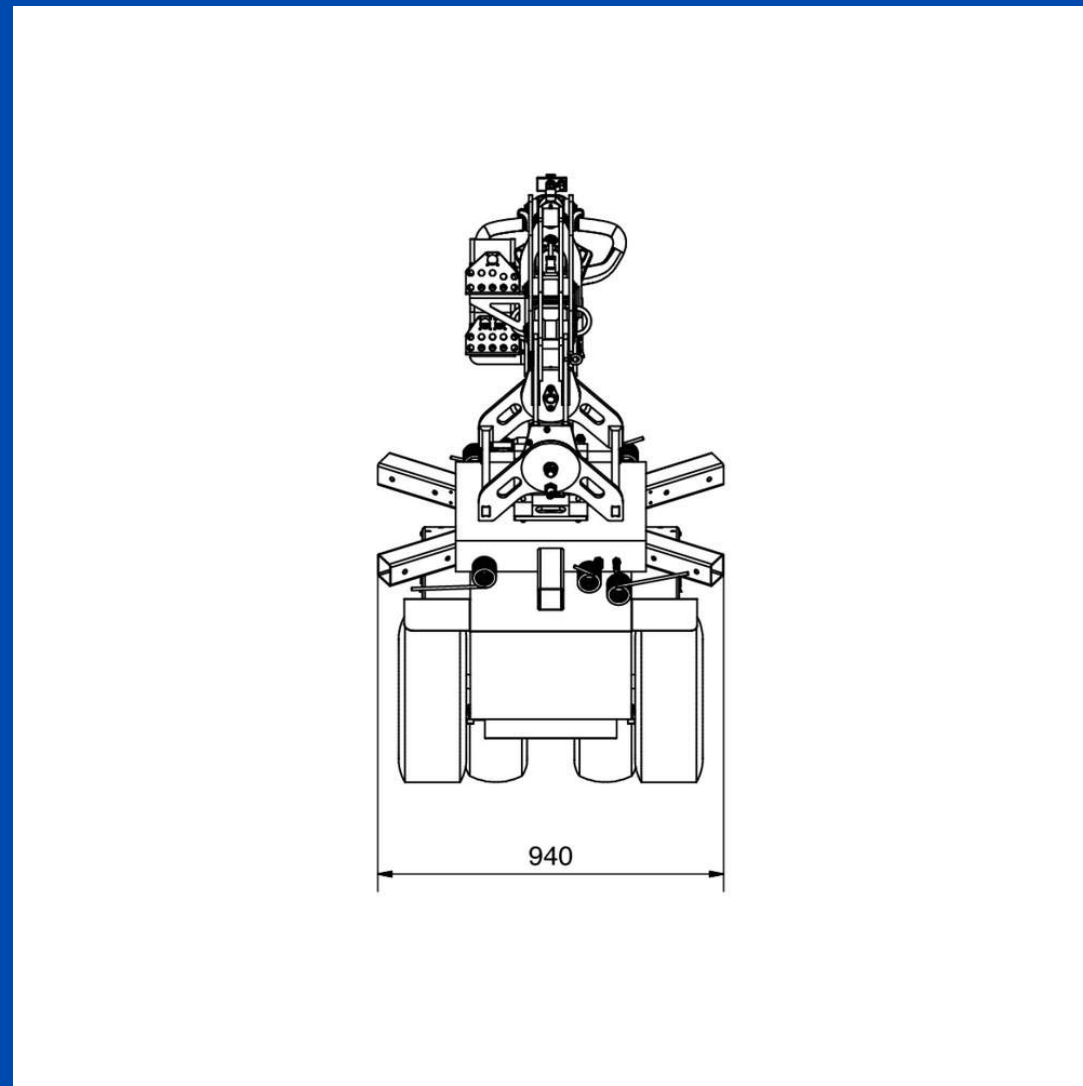
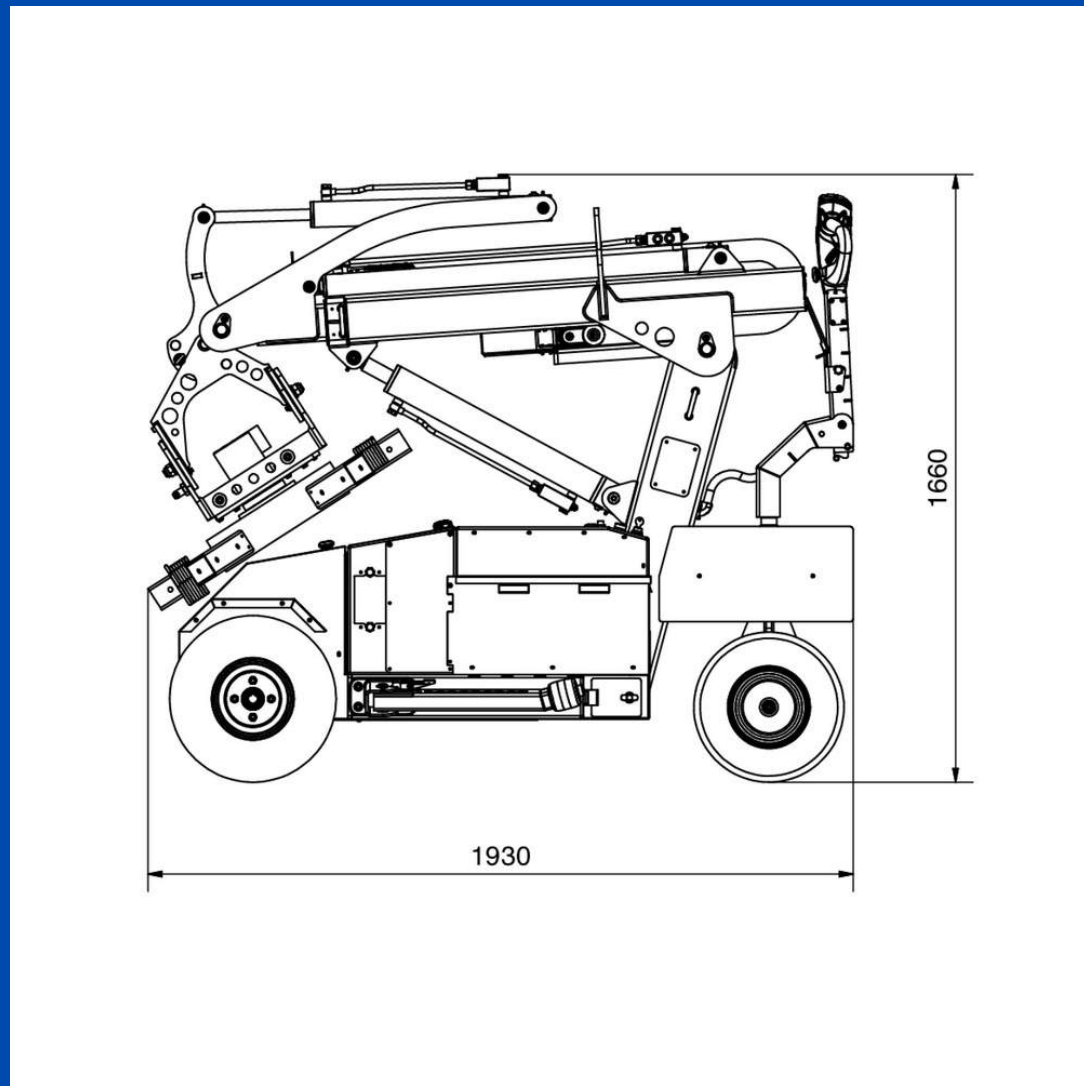
- Load capacity max. 625 kg
- Silicone-free suction plates (no marks)
- Additional manual extension (610 mm)
- Fully hydraulic extension
- Vertical mounting up to 3.60 m
- Overhead mounting up to 4.10 m
- Sensitive hydraulics
- Sensitive radio remote control with LCD display, charger, second battery and accessories
- Visual display of all queries in the radio remote control
- Self-monitoring safety system
- Plug & Play delivery
- Overload key
- Hydraulic side shift in vacuum cross (+/- 50 mm)
- Automatic angle correction
- 6 suction plates Ø 350 mm
- Hydraulic turning
- Hydraulic swivelling
- Front drive 3 kW
- Operating instructions with CE declaration of conformity
- Own weight approx. 1035 - 1095 kg



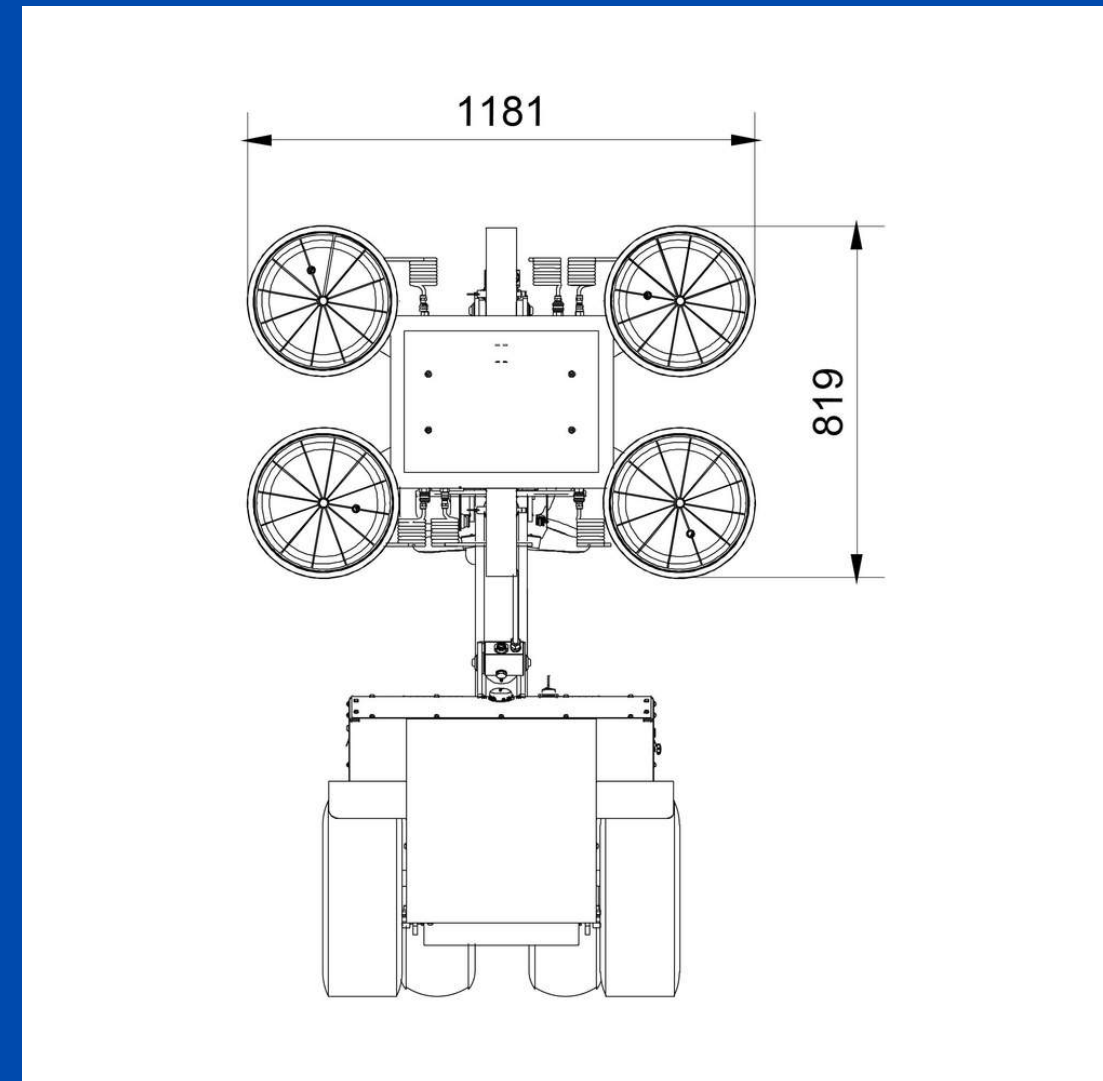
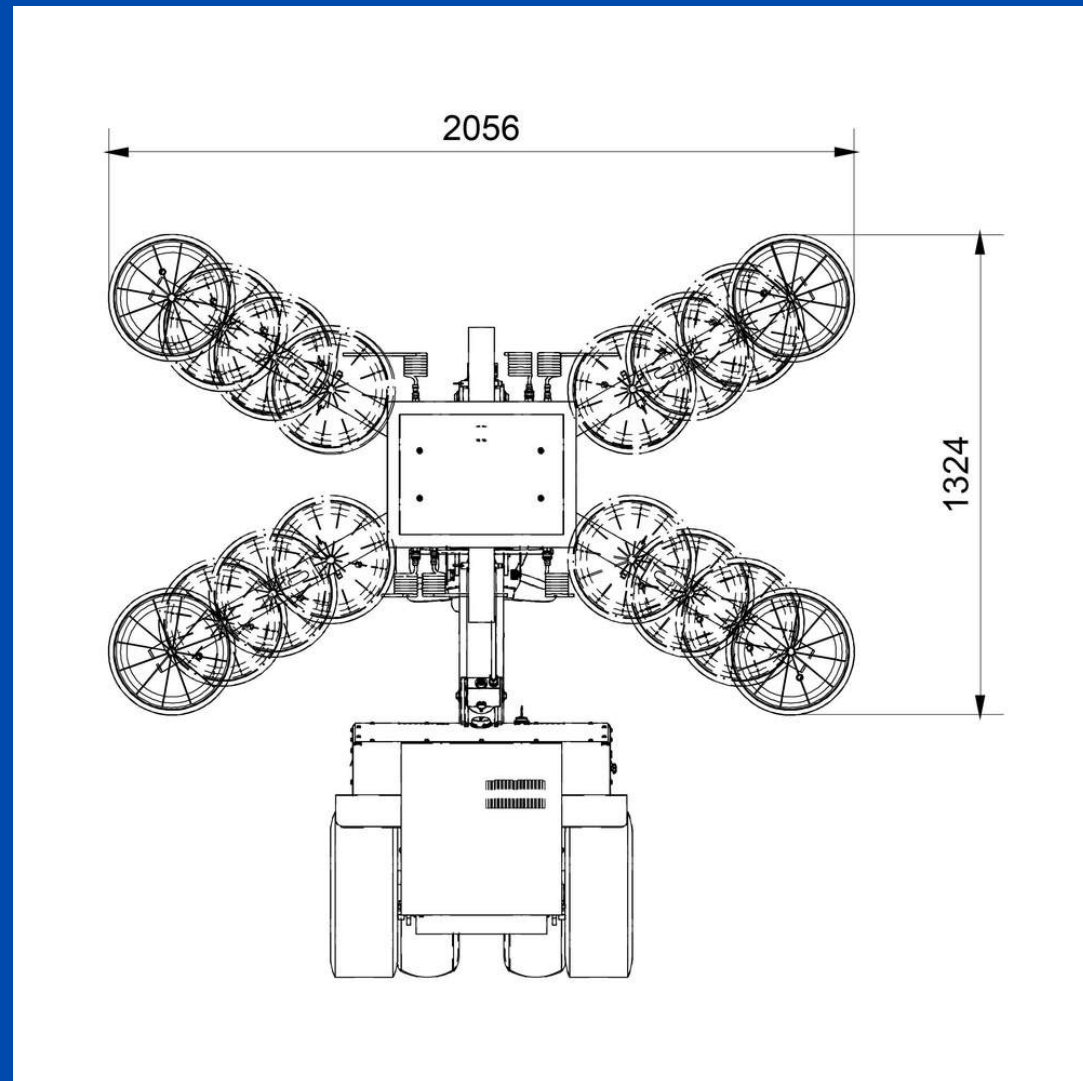
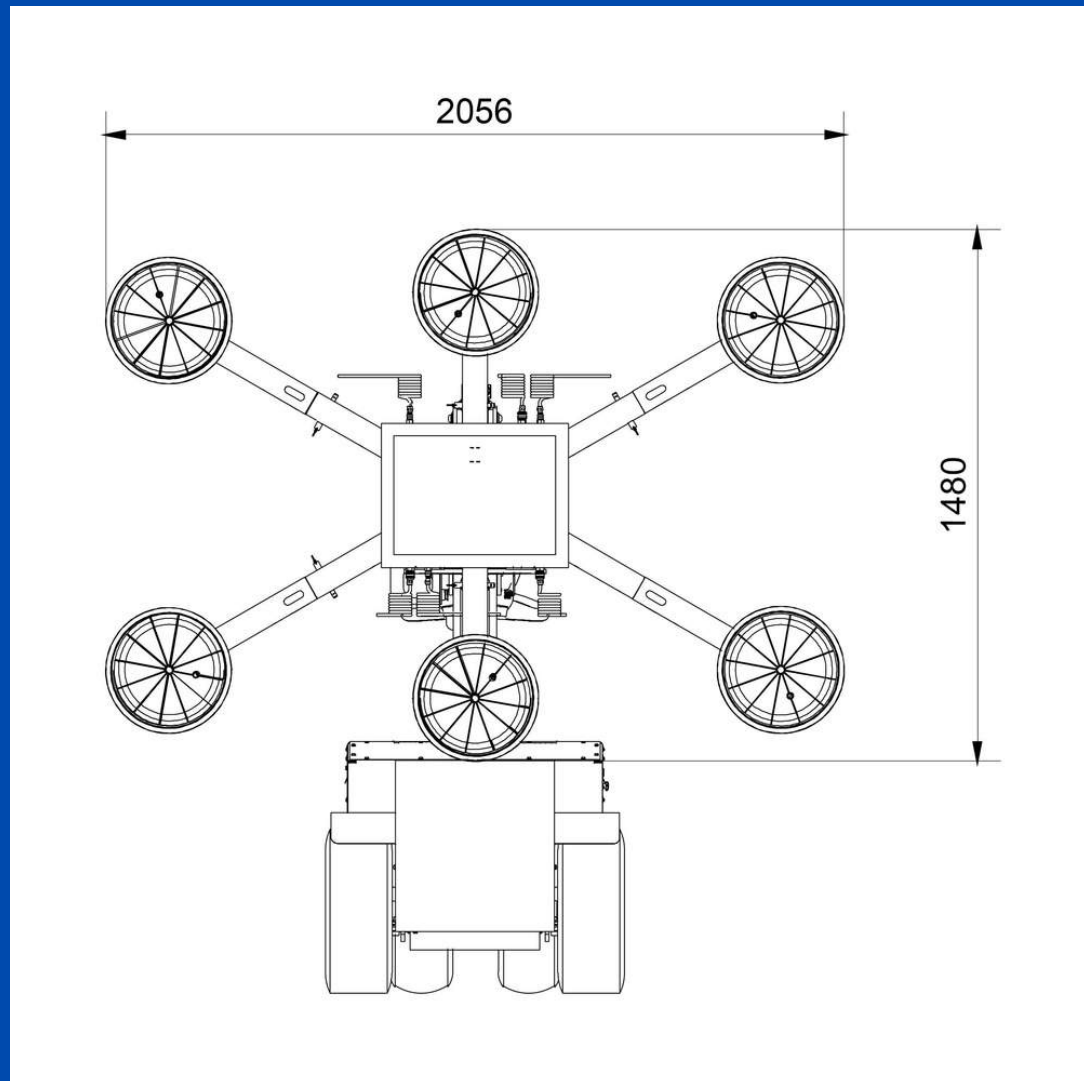
SPECIFICATIONS OF GLASSWORKER GW625



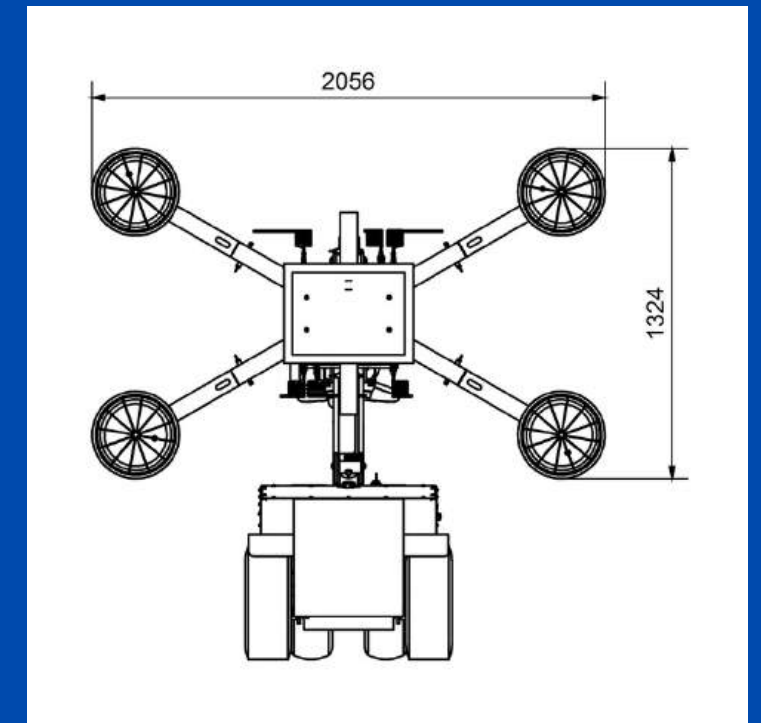
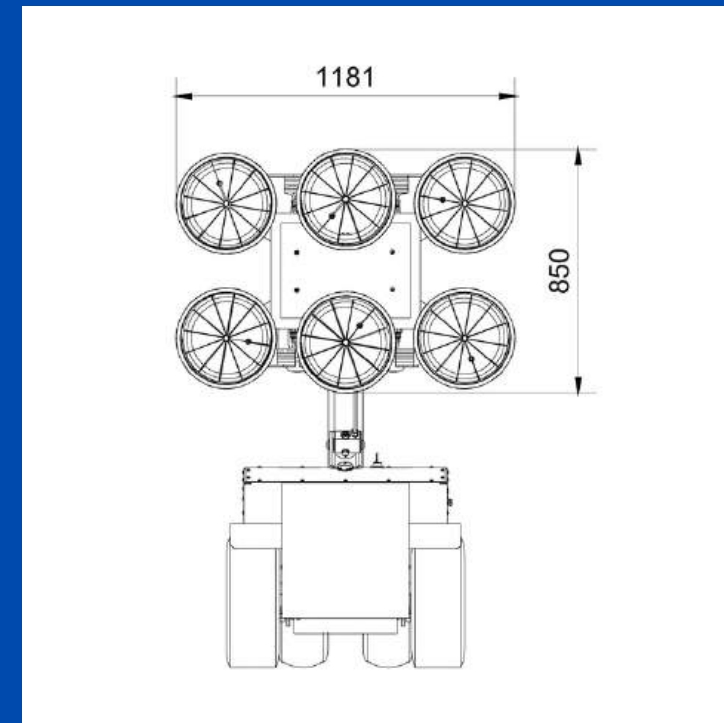
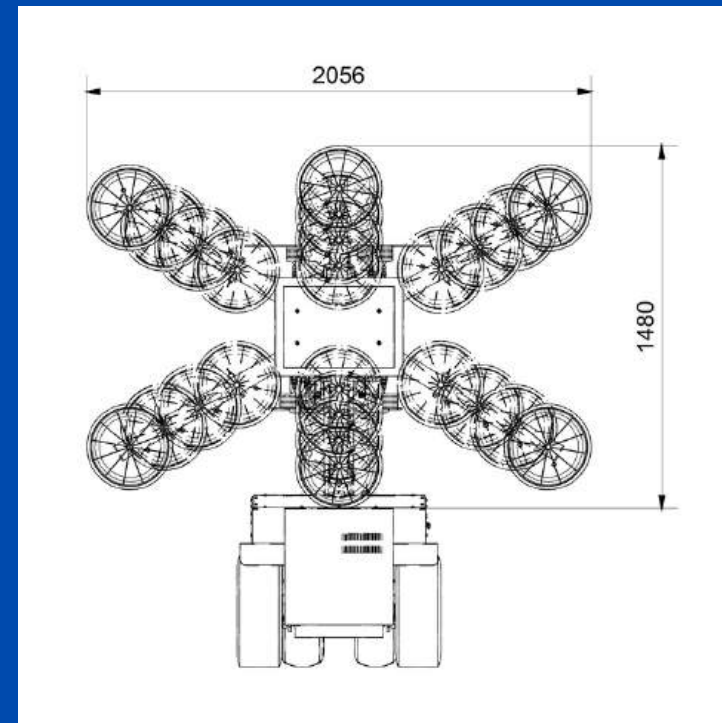
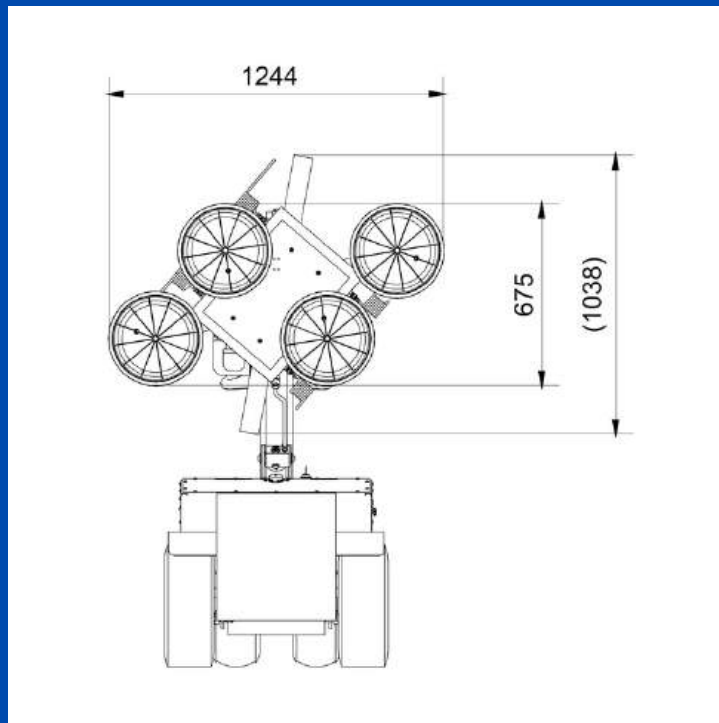
SPECIFICATIONS OF
**GLASSWORKER
GW625**



SPECIFICATIONS OF
**GLASSWORKER
GW625**



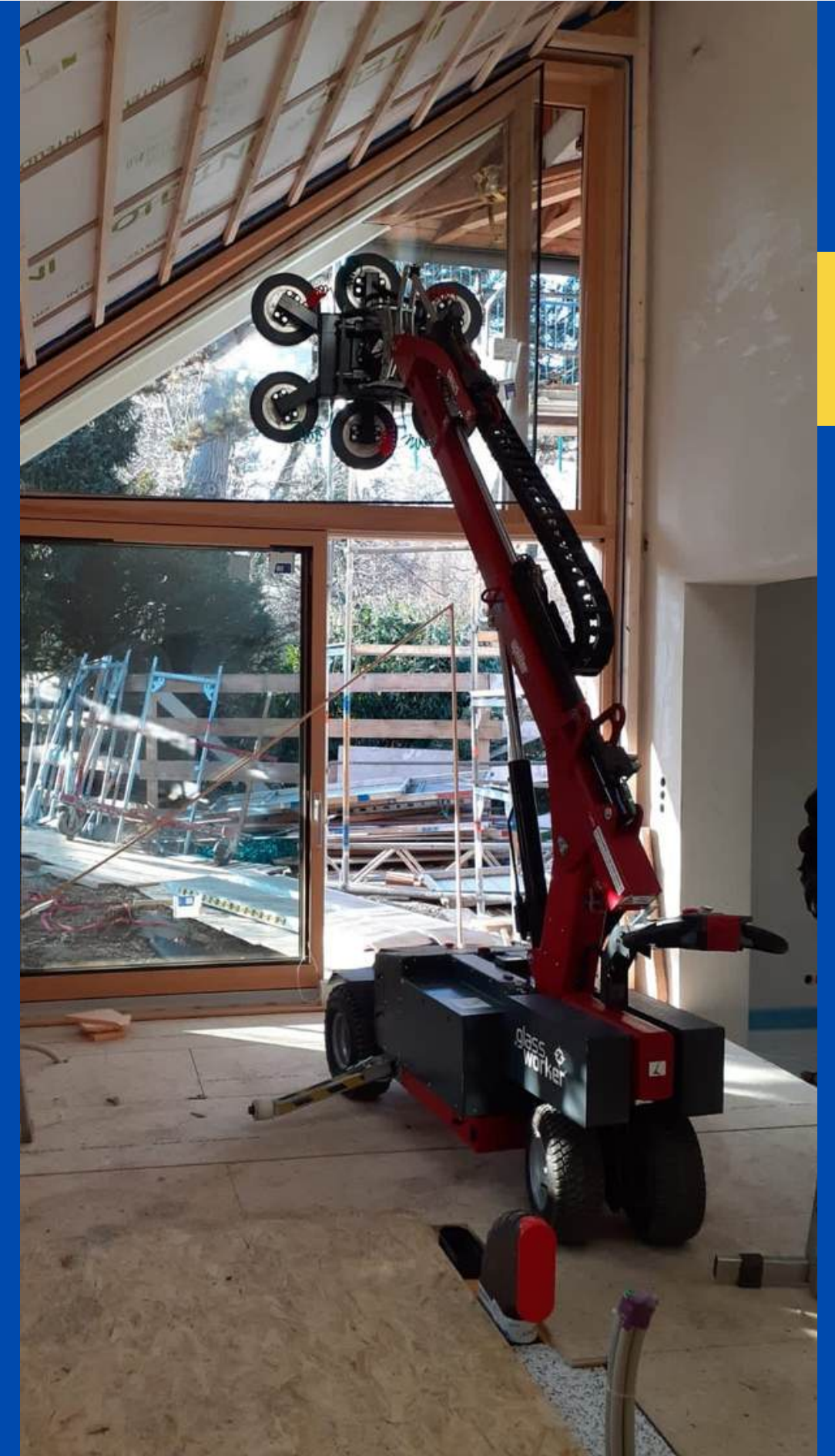
SPECIFICATIONS OF GLASSWORKER GW625



ADVANTAGES OF

GLASSWORKER GW625

- The **Glassworker GW625** is perfect for construction projects with large glass panels or facade components requiring a **load capacity of up to 625 kg**.
- Unload, transport and install large glass panels, even on uneven ground.
- Because of the *width is 0.83 m*, **GW625** is also **suitable for narrow corridors, doorways and doorways** and can **carry out straight installations up to 3.10 m** and reach up for installations up to **3.60 m**.
- The **stepless drive** is perfectly coordinated, with **three-way control technology, individually configurable vacuum system** and **radio remote control** as standard. With optimal traction, **GW625** is also very **suitable for outdoor use**.
- **Avoid breakage** during glass installation and **double safety**. It is entirely possible to transport glass safely and assemble it with just one employee.



GLASSWORKER IS

SAFETY TESTED

Please click on [here](#) to watch video



Hotline: 0251 368 3224

www.nishio.com.vn



BENEFITS OF

RENTING OR PURCHASING FROM US



When buy or rent **GLASSWORKER** short and long term, you will receive enthusiastic guidance from **NISHIO**.



We have enough records and documents certifying the origin and quality of the machine.



Renting: We ensure to maintain and repair **GLASSWORKER** if there are any machine problems. It can be solved by our professional and experienced technical team, who are trained directly from UPLIFTER.



TRAINING: GLASSWORKER (GW625)





**THANK YOU FOR YOUR
CONSIDERATION!**