



GLASSWORKER

a strong product family!



- Uplifter GmbH & Co. KG**
Uplifter in Oberaich | Central
Oberaich 5 | 92543 Guteneck
+49 9433 20499 0
- Uplifter in München | Hallbergmoos**
Zwillingshof 1 | 85737 Hallbergmoos
+49 9433 20499 0
- Uplifter in Sinsheim | Lobbach**
Spitzäcker 8 | 74931 Lobbach
+49 9433 20499 302
- Uplifter in Frankfurt/Main | Mömbris**
Handwerkerring 6 | 63776 Mömbris
+49 9433 20499 302
- Uplifter in Düsseldorf | Velbert**
Rosenkamp 13 | 42549 Velbert
+49 2051 42319 0
- Uplifter in Berlin | Oberkrämer**
Breitestr. 59 | 16727 Oberkrämer
+49 3304 2559350
- Uplifter in Hamburg | Seevetal**
Bei den Kämpen 8 | 21220 Seevetal
+49 4185 79997 0
- Uplifter Development and Production**
Schulstraße 16 | 92507 Nabburg
+49 9433 20499 0
- Uplifter in Czech and Slovakia / Prague**
Rabakovská 1624/9 | 10200 Praha 15 - Hostivař
+420 230 234 500
- Uplifter in Poland / Warsaw**
5 Przeclawska St. | 03-879 Warsaw
+48 22 618 27 71

WE ARE HERE FOR YOU!



More applications in the Facebook picture gallery



GW425



GW625



GW1125

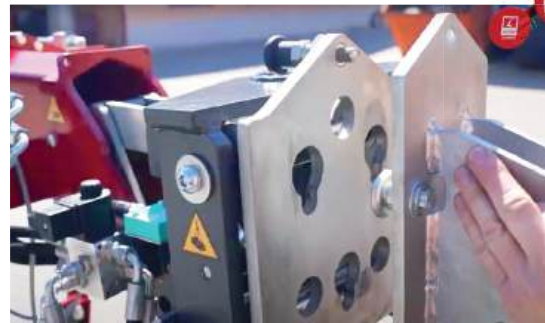
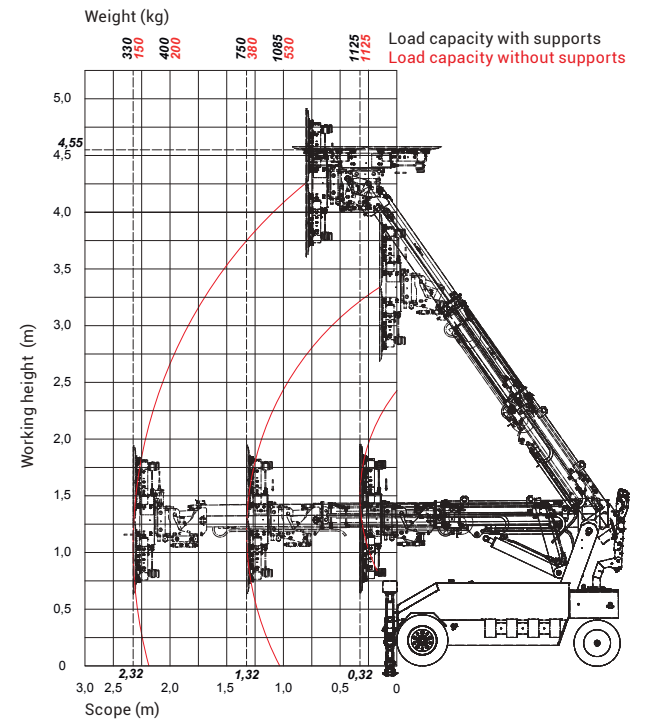
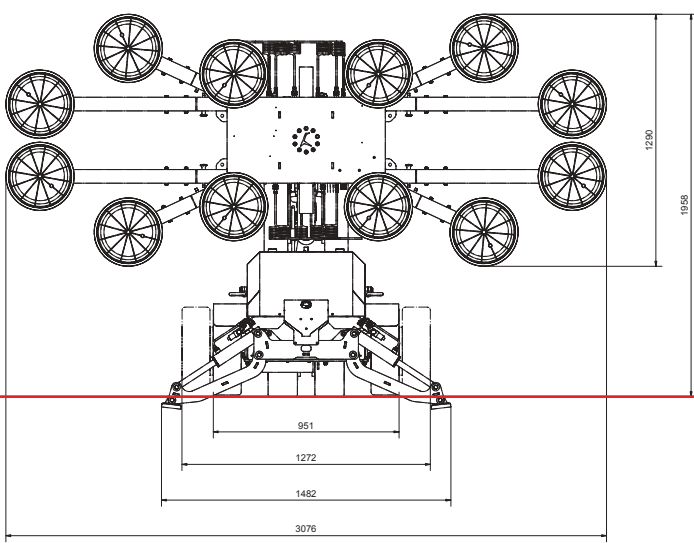
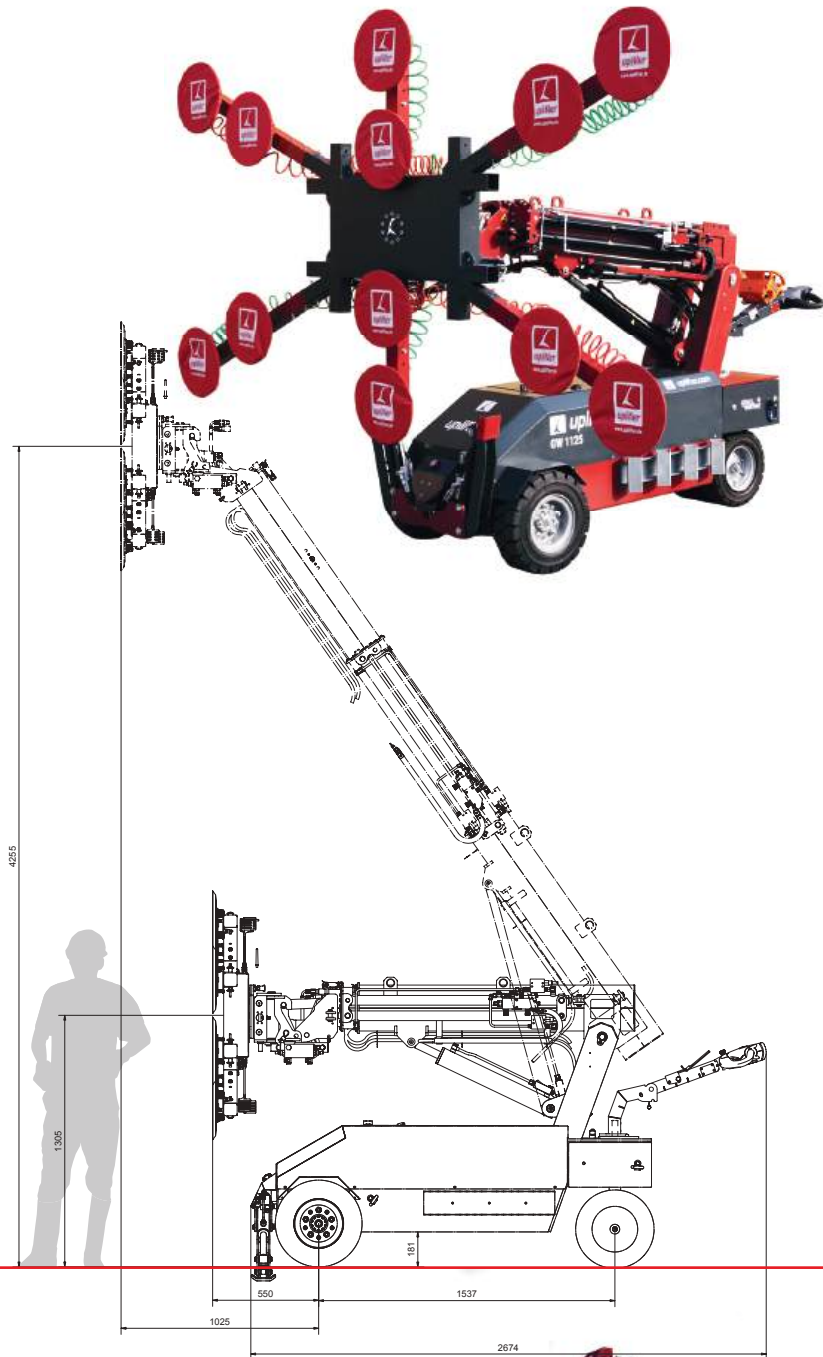
Glassworker GW1125

Lifting device | Uplifter



Load capacity	1.125 kg
Working height max.	4,25 m Center vacuum cross
Indoor	✓
Outdoor suitable	✓
Highlifter	Standard
Scope forward*	2,32 m
Dead weight*	1.250 - 1500 kg
Length	2,68 m
Wide	0,96 m
Operating time	up to 8 hours
Accessories	White non-marking solid tires, dual tires for all types of tires, crash sensors, cover hood, suction plate arms bracket, winch, crane tip, load hook and forklift fork

*depending on equipment



The innovative quick-change system enables uncomplicated mounting of attachments such as electric winch, forklift fork, load hook, etc.

TIP
Use the GW1125 with winch to use the vacuum cross separately with optional tilting unit.
The vacuum suction cup UPG1200 can also be used separately.

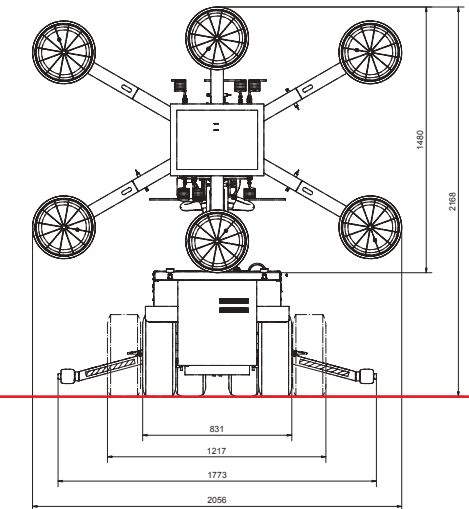
Glassworker GW625

Lifting device | Uplifter

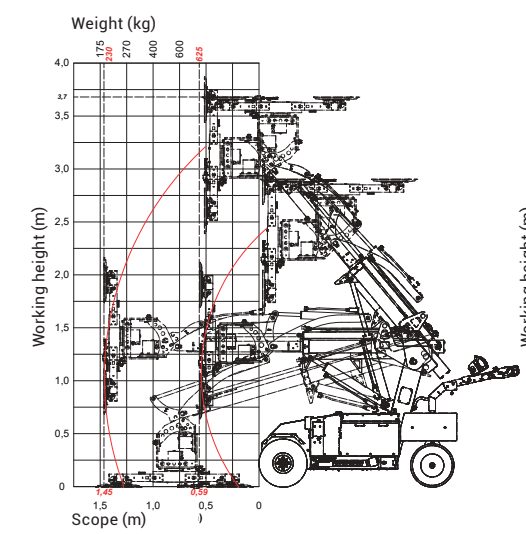


Load capacity	625 kg
Working height max.	3,64 m Center vacuum cross
Indoor	✓
Outdoor suitable	✓
Highlifter	optional
Scope forward*	1,49 - 2,10 m
Dead weight*	1.035 - 1.095 kg
Length	2,46 m
Wide	0,84 m
Operating time	up to 8 hours
Accessories	white non-marking solid tires, black solid tires (PUR), double tires for all types of tires, load hook, crane tip, forklift fork, additional horizontal tilting (HK+), cover hood, LED working light, adapter for curved discs, mount extensions for curved discs, posts, etc., foam rubber suction pad and winch

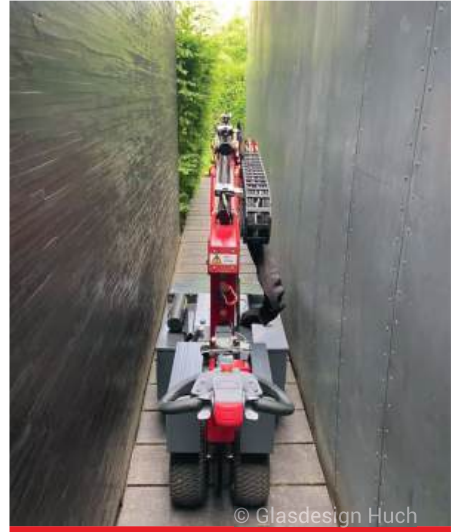
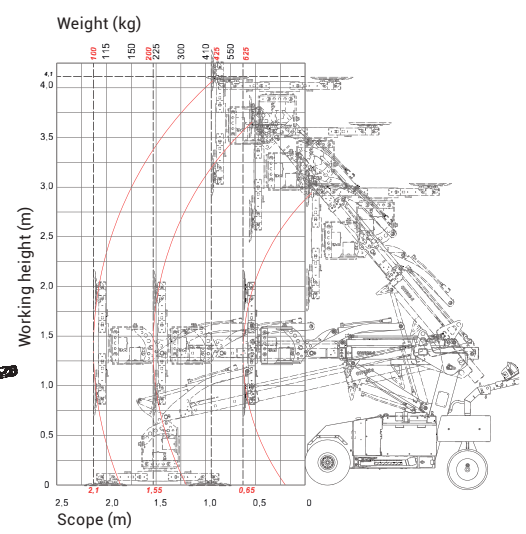
*depending on equipment



GW625 Standard



GW625 Highlifter



TIP
The GW625-2 is the lightweight in its class and can therefore be used universally.
Whether it is used in single-family homes, narrow passages or curved panes, almost anything is possible.

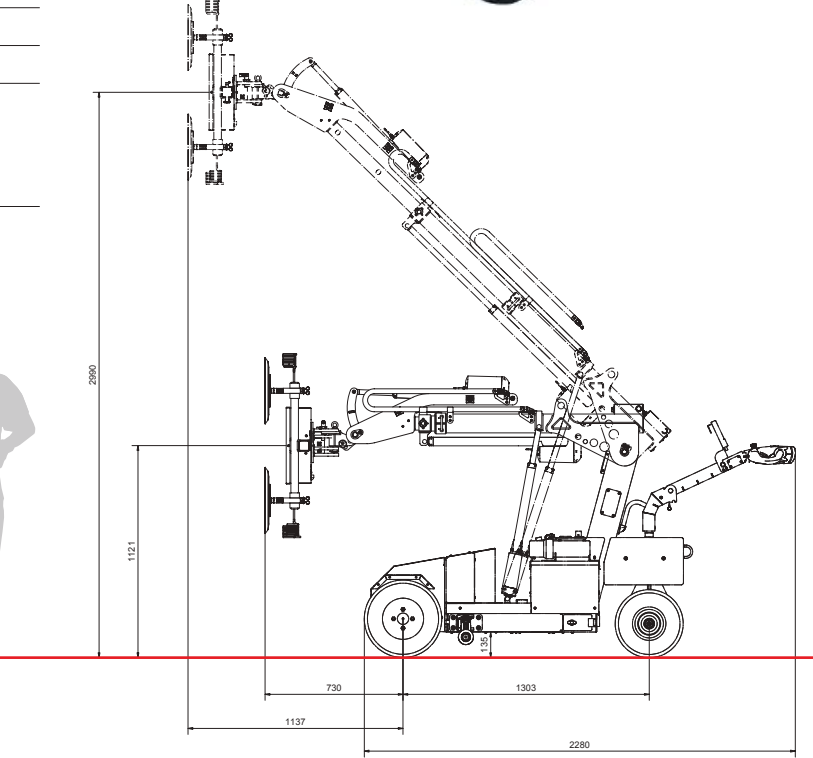
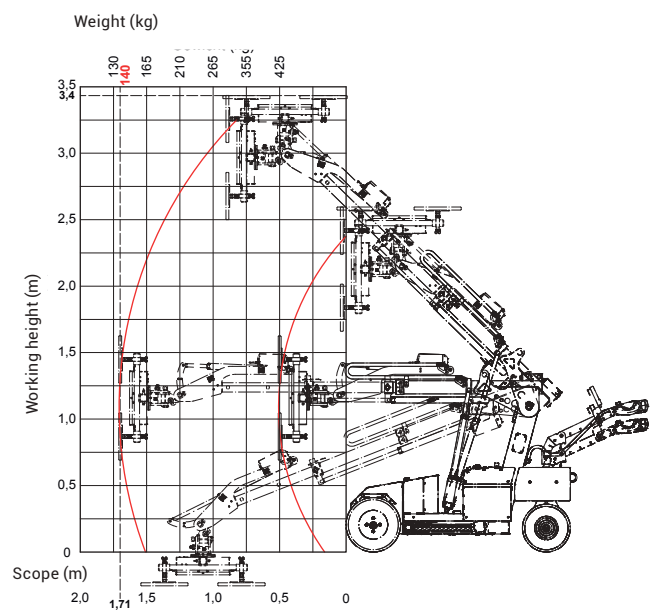
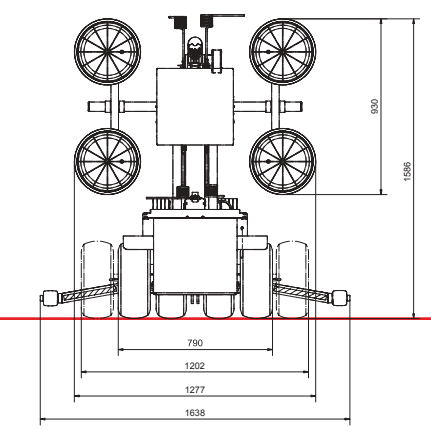
Glassworker GW425

Lifting device | Uplifter



Load capacity	425 kg
Working height max.	2,99 m Center vacuum cross
Indoor	✓
Outdoor suitable	✓
Highlifter	Standard
Scope forward*	1,70 m
Dead weight*	680 kg
Length	2,28 m
Wide	0,79 m
Operating time	up to 8 hours
Accessories	white non-marking solid tires, black solid tires (PUR), double tires for all types of tires, load hook, forklift fork, angle correction, cross bar can be rotated, bellows suction plate, LED working lights, side extensions, radio remote control, cover and winch

*depending on equipment



Suitable for outdoor use to move windows from the outside to the inside