

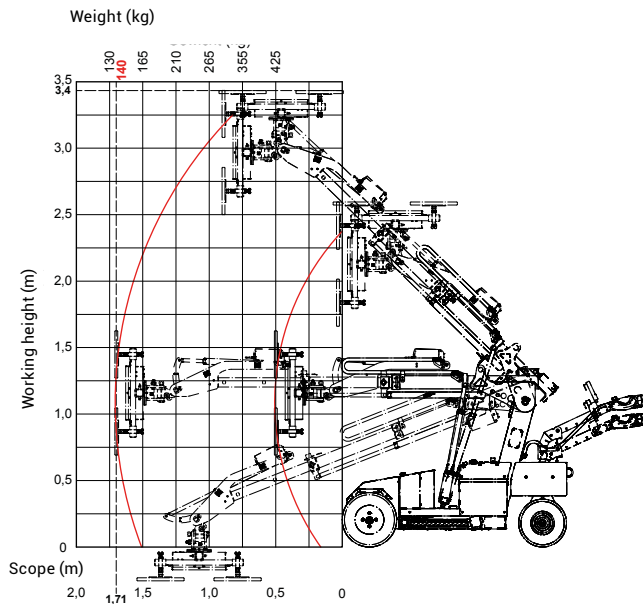
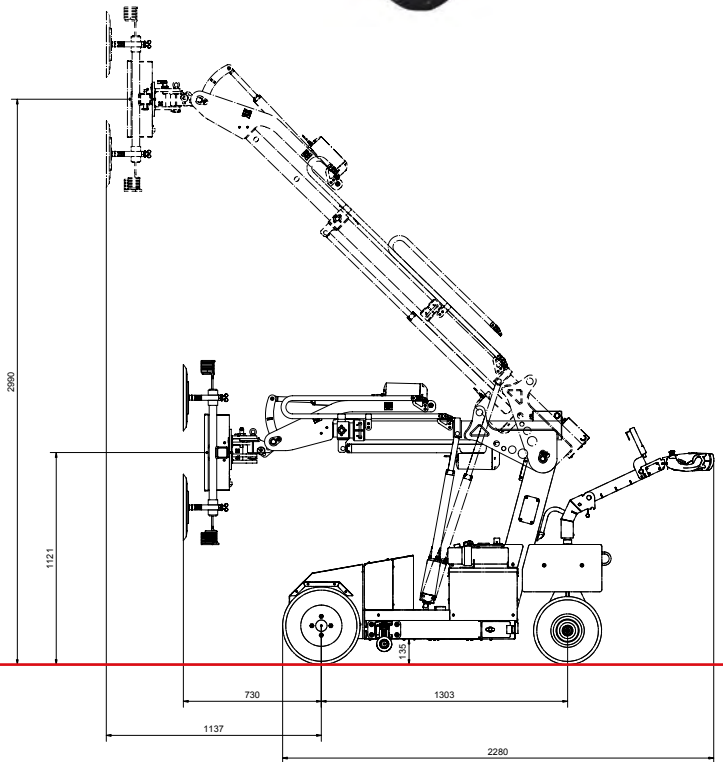
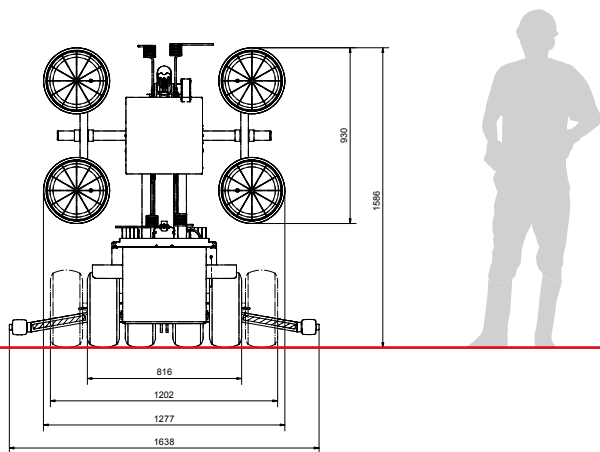
# Glassworker GW425

Lifting device | Uplifter



Load capacity	425 kg
Working height max.	2,990 m Center vacuum cross
Indoor	
Outdoor suitable	
Highlifter	Standard
Scope forward	1,70 m
Dead weight*	680 kg
Length*	2,280 m
Wide*	0,816 m
Operating time	up to 8 hours
Accessories	white non-marking solid tires, black solid tires (PUR), double tires for all types of tires, load hook, forklift fork, angle correction, cross bar can be rotated, bellows suction plate, LED working lights, side extensions, radio remote control, cover and winch

\*depending on equipment



Suitable for outdoor use to move windows from the outside to the inside