

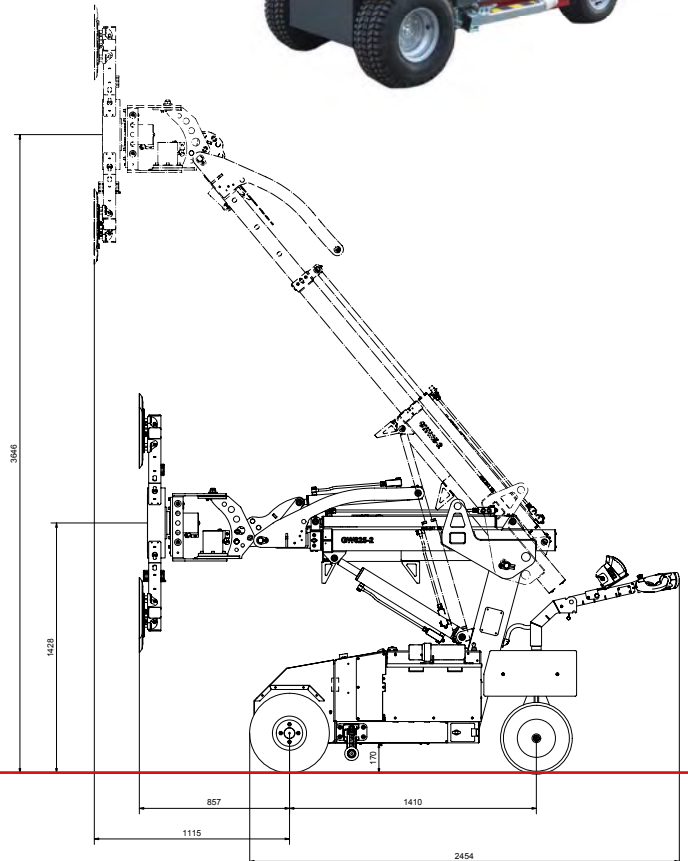
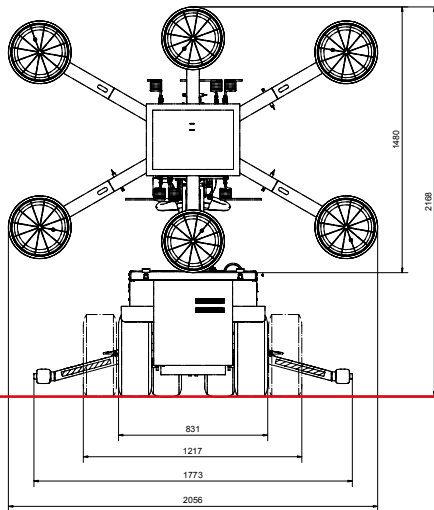
Glassworker GW625

Lifting device | Uplifter

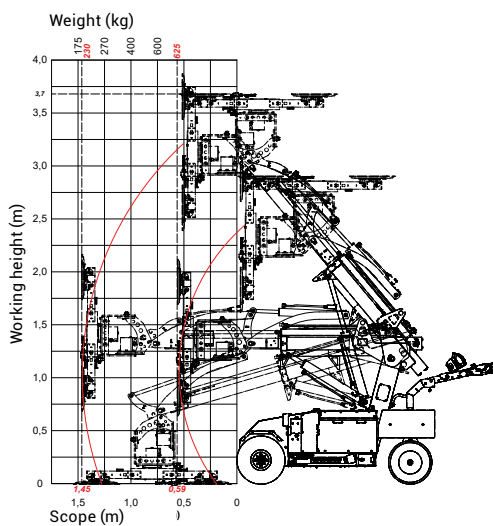


Load capacity	📦 625 kg
Working height max.	📏 3,646 m Center vacuum cross
Indoor	✅
Outdoor suitable	✅
Highlifter	optional
Scope forward*	1,49 - 2,10 m
Dead weight*	1.035 - 1.095 kg
Length*	2,454 m
Wide*	0,831 m
Operating time	up to 8 hours
Accessories	white non-marking solid tires, black solid tires (PUR), double tires for all types of tires, load hook, crane tip, forklift fork, additional horizontal tilting (HK+), cover hood, LED working light, adapter for curved discs, posts, etc., foam rubber suction pad and winch

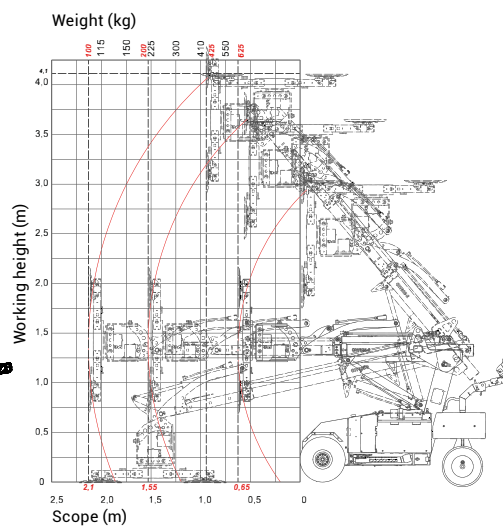
* depending on equipment



GW625-2 Standard



GW625-2 Highlifter



TIP

The GW625-2 is the lightweight in its class and can therefore be used universally.

Whether it is used in single-family homes, narrow passages or curved panes, almost anything is possible.