

# SJ3215/19 E

## ELECTRIC SCISSORS



### STANDARD FEATURES

- Drivable at full height
- Variable speed, dual front wheel electric drive
- 90° Steering (zero inside turning radius)
- Dual holding brakes
- SKYCODED™ Color coded and numbered wiring system
- RAPIDFOLD hinged railing system (SJ3219 only)
- On-board visual interface with diagnostic capabilities
- Shroud style, impact resistant composite control box with extended cable
- Proportional controls for drive & lift functions
- 3' (0.91 m) Roll out extension deck
- 24V DC Power source
- 110V AC Outlet on platform with GFI
- Low voltage battery protection
- 25% Gradeability
- Solid rubber, non-marking tires
- Pothole protection system
- 28 mph (12.5 m/s) Wind rating
- Tilt alarm with drive & lift cut-out (3.5° x 1.5°)
- All motion audible alarm
- Lanyard attachment points
- Operator horn
- Forklift pockets and tie down / lift lugs
- Overload sensing system
- Fold down hinged railing system (SJ3215 only)
- Half height spring hinged entry gate
- Telematics ready
- Low battery indicator light on control box
- 2-Year Gold Leaf Warranty (5-year structural warranty)



- 16% operational carbon saving compared to previous model



- Up to 20% improvement in duty cycle



- ZERO emissions



- <70 dB inherently quiet machine operation (excl. alarms)
- White noise/broadband alarms - *optional*



- 90% recyclable (by weight)



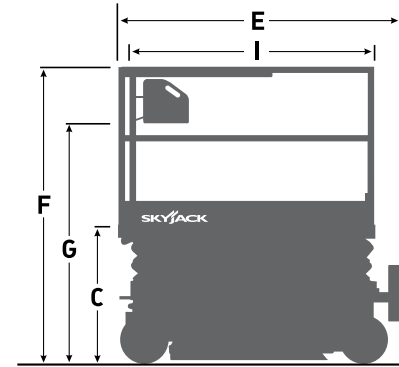
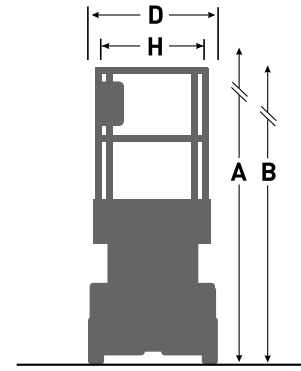
- 60% less hydraulic connections – reduces leak potential
- ECOTRAY leak containment - *optional*
- Bio-degradeable hydraulic oil - *optional*



- Telematics – remote diagnostics reduces site visits (operational carbon foot print)

# SJ3215/19 E ELECTRIC SCISSORS

Dimensions	SJ3215 E	SJ3219 E
<b>A</b> Work Height	20' 7" (6.27 m)	24' 6" (7.48 m)
<b>B</b> Raised Platform Height	14' 7" (4.44 m)	18' 6" (5.64 m)
<b>C</b> Lowered Platform Height	36" (0.91 m)	41" (1.04 m)
<b>D</b> Overall Width	32" (0.81 m)	32" (0.81 m)
<b>E</b> Overall Length	71" (1.80 m)	71" (1.80 m)
<b>F</b> Stowed Height (Rails Up)	79.9" (2.03 m)	84" (2.13 m)
<b>G</b> Stowed Height (Rails Down)	66" (1.67 m)	79.60" (2.01 m)
<b>H</b> Platform Width (Inside Dimension)	25" (0.64 m)	25" (0.64 m)
<b>I</b> Platform Length (Inside Dimension)	61" (1.54 m)	61" (1.54 m)
Specifications	SJ3215 E	SJ3219 E
Extension Deck (Roll Out)	3' (0.91 m)	3' (0.91 m)
Ground Clearance (Pothole Raised)	3.5" (8.9 cm)	3.5" (8.9 cm)
Ground Clearance (Pothole Deployed)	0.5" (1.3 cm)	0.5" (1.3 cm)
Wheelbase	54" (1.37 m)	54" (1.37 m)
Weight	2,570 lbs (1,166 kg)	3,236 lbs (1,468 kg)
Gradeability	25%	25%
Turning Radius (Inside)	0	0
Turning Radius (Outside)	65" (1.65 m)	65" (1.65 m)
Lift Time (With Rated Load)	21 sec	22 sec
Lower time (With Rated Load)	28 sec	25 sec
Drive Speed (Stowed)	2.1 mph (3.4 km/h)	2.1 mph (3.4 km/h)
Drive Speed (Raised)	0.5 mph (0.8 km/h)	0.6 mph (1.0 km/h)
Maximum Drive Height	Full Height	Full Height
Capacity (Overall)	600 lbs (272 kg)	500 lbs (227 kg)
Distributed Capacity (Main Platform)	350 lbs (159 kg)	250 lbs (113 kg)
Distributed Capacity (Extension Deck)	250 lbs (113 kg)	250 lbs (113 kg)
Local Floor Load (With Rated Load)	160 psi (1,103 kPa)	168 psi (1,159 kPa)
Overall Floor Load (With Rated Load)	206 psf (1,006 kg/m <sup>2</sup> )	242 psf (1,182kg/m <sup>2</sup> )
Maximum # of persons at 0 mph (0 m/s) wind rating	2	2
Maximum # of persons up to 28 mph (12.5 m/s) wind rating	1	1
Tire Type	Solid, N/M	Solid, N/M
Tire Size	12 x 4 x 8	12 x 4 x 8



## ACCESSORYZERS †

- Light duty pipe rack
- Heavy duty pipe rack
- Board carrier
- Tool caddy
- ECOTRAY leak containment system
- XStep
- Secondary Guarding Lift Enable (SGLE)
- Perimeter lights (Cannot be combined with dual flashing lights)

## OPTIONS †

- Flashing light
- Dual flashing lights
- White noise alarm
- 250 Ah Batteries
- AGM Batteries
- Lockable swingout trays
- EE Rating package  
(Cannot be combined with telematics keypad, 250 Ah or AGM batteries, single or dual flashing lights, AC power on platform, perimeter lights, white noise alarm or ECOTRAY)
- Full height spring hinged entry gate
- Bio oil
- Non-destructive testing
- ELEVATE telematics (1-year, 3-year or 5-year plans available)
- Extended warranty (3-year or 5-year plans available)

### Skyjack Head Office

55 Campbell Rd. Guelph, ON Canada N1H 1B9  
 Sales Inquiries: 1-877-755-4387 (1-877-SJLIFTS)  
 Main Switchboard: 1-800-265-2738  
 Phone: 519-837-0888  
 Fax: 519-837-8104  
 Email: skyjack@skyjack.com

[www.skyjack.com](http://www.skyjack.com)

† Standard lead times may be increased when optional equipment is added, consult factory.  
 ‡ Capacities and machine weights may differ when accessories and options are added.

