

# UPT350 PRO

Glassworker & Vacuum cups



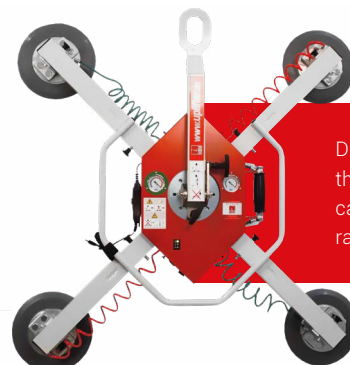
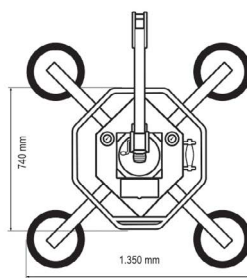
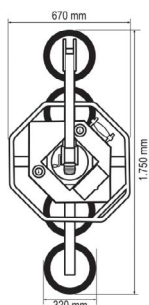
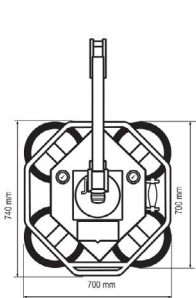
- **Max. load capacity 350 kg**
- Electric hand vacuum cleaner
- Manual side shift (+/- 55 mm)
- Electric winch for lifting and lowering
- Uncomplicated and quick assembly/disassembly
- Overall width: 685 mm (without vacuum system)
- Total height 1,898 mm
- Mast can be swiveled by 90°
- Electric mast with tilt/tilting function by +8° to -18°
- Solid rubber tires
- Non-slip handle



Uplifter GmbH & Co.KG

Oberaich 5 | 92543 Guteneck  
Germany  
T +49 9433 204990  
[www.uplifter.com](http://www.uplifter.com)

- **Removable UPG350 vacuum cup**
  - Horizontal load capacity max. 350 kg
  - Silicone-free suction pads (no marks)
  - Vertical load capacity max. 300 kg
  - Manual 360° rotation with grid every 45°
  - 2 independent vacuum circuits
  - 12 V battery power supply
  - Permissible temperature range 0° to 40°
- 
- Operating instructions with CE declaration of conformity
  - Total weight of transport and assembly aid + vacuum suction cup approx. 480 kg



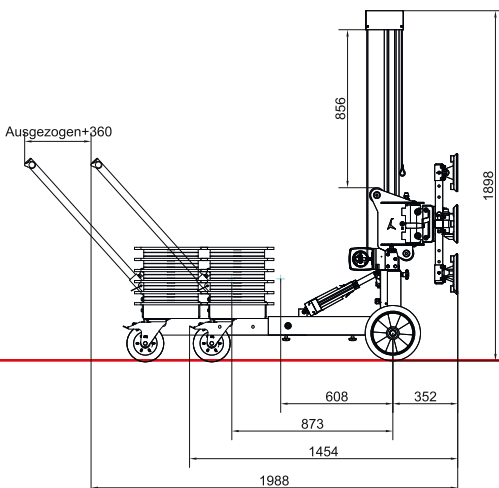
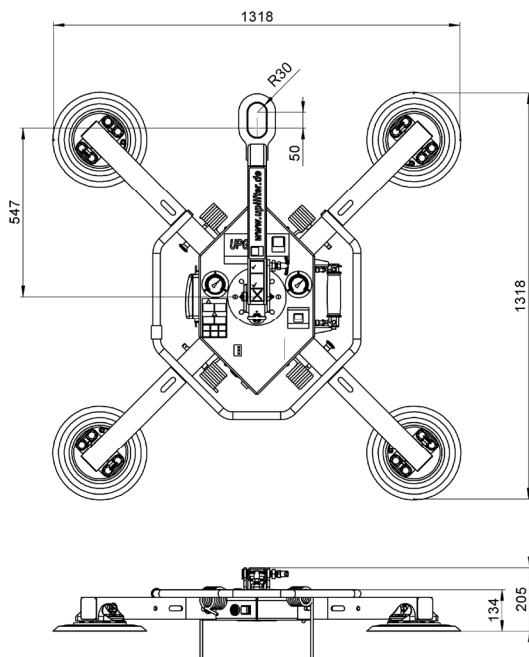
Due to the different arrangement of the suction plates, the vacuum cup can be optimally adapted to a wide range of pane sizes.

# UPT350 PRO

Glassworker & Vacuum cups



load capacity	350 kg
Number of suction cups	4 piece
Curved discs	
Side shift	
Tilt and tilt	
Tare weight	approx. 480,0 kg
Height	1.90 m
Width	0.69 m
Tilt angle	+8° up to -18° electric
Swivelling	90°



## TIPP

An adapter allows the UPG350 to be mounted on the UPT350 quickly and without tools. All the functions of the UPT350 are retained, such as side shift, swivelling and tilting. The swivelling function is integrated in the vacuum cup and can be used manually.



## Use the Uplifter PRO principle

Two devices in one machine. The innovation on the market, a glassworker with a removable and independently usable vacuum cross. Remain as individual as your requirements on the construction site.

